

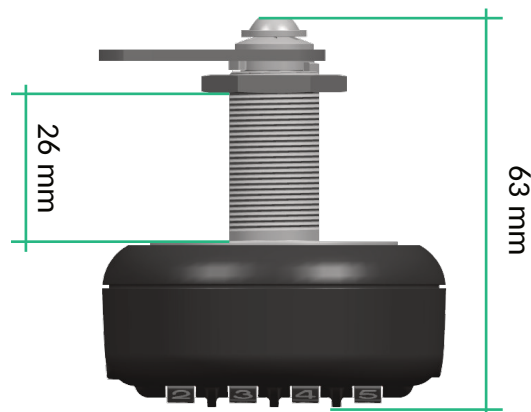
Mechanical combination lock 2022

Property rights: Patented function according to DE 50 2004 011 442.3
Registered design

The SUDHAUS lock 2022 is a new development with an additional security mechanism and contemporary design. The freewheel function patented by SUDHAUS guarantees convenient operation of the lock for both the user and the manager.



Installation depth



- Patented freewheel function
- Attractive design
- Colour individualisation possible

Product details



- 4-wheel combination with 10,000 possible combinations
- Modern design variants: curve and edge
- Protection against vandalism
- Left/right rotation
- Emergency opening in seconds with Master-Key
- Drill hole 16/19, easy, quick installation
- Unproblematic replacement



More info



SUDHAUS GmbH
Tel: +49 (0)2371 906-0

Teichstraße 5
Mail: info@sudhaus.de

MADE IN GERMANY

02-05-2022

58644 Iserlohn
www.sudhaus.de