

Case lock 1411



Zinc - die casting
Housing

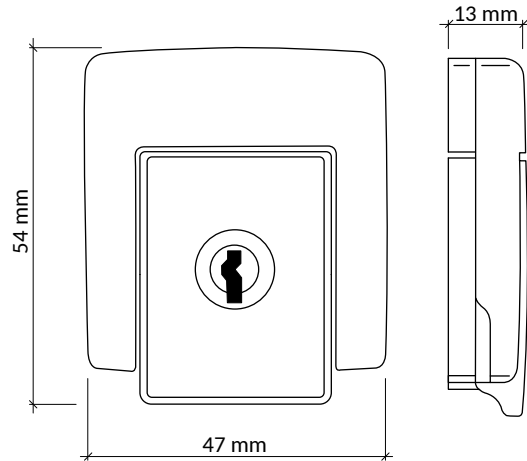
Total weight:

approx. 84 g

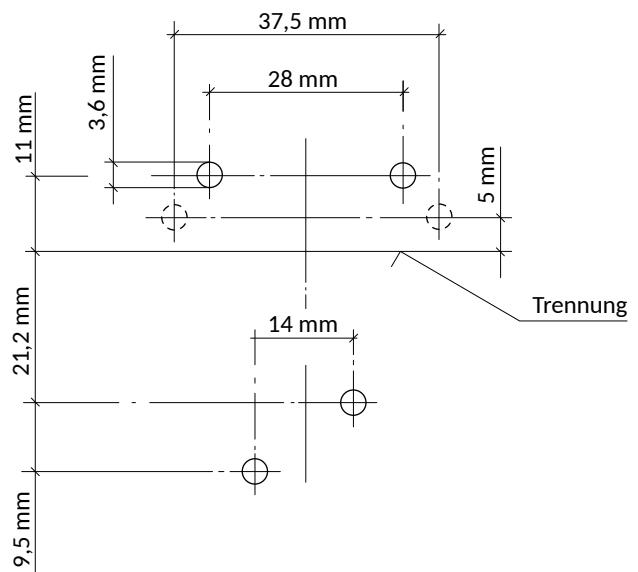
Colour:

black & silver lacquered;
other colours on request

Dimensions



Hole pattern surface mounting



Fields of application

- Sample case
- Presentaion case
- Aluminium case
- Briefcase



With individual lettering/logo on request



More info



SUDHAUS GmbH
Tel: +49 (0)2371 906-0

Teichstraße 5
Mail: info@sudhaus.de

MADE IN GERMANY

13-06-2023

58644 Iserlohn
www.sudhaus.de