

Combination lock 1841

Patented functions according
DE 50 2010 004 511.2



The new lock 1841 is a functional extension of the patented SUDHAUS lock 1844. It also offers more free space due to its narrower contour.

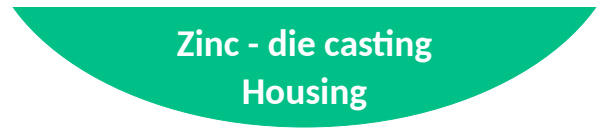
The **one-timer** version of the 1841 has an automatic code-finding mechanism. The coding by the respective user allows the lock to be opened once, so that the next user has to set his personal code.



Also available in silver with black knob.



one-timer

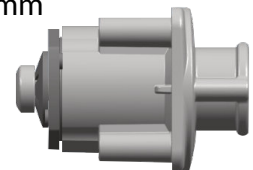
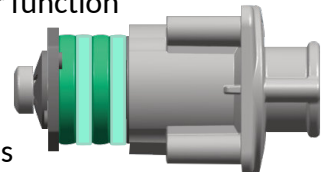


Zinc - die casting
Housing

Thanks to adapter function

Up to 4 x
extendable

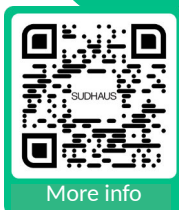
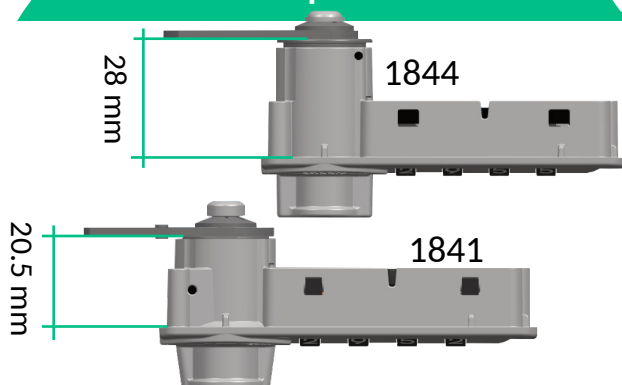
Installation depths
from 20.5 mm to 32.5 mm



Product details

- 4-wheel combination with 10,000 possible combinations
- Flat construction, slim design
- Emergency opening in seconds with master key
- No user administration required
- Different lockings possible
- Easy, quick installation

Comparison of installation depths



Optional engraving
with consecutive
number or text



21-06-2023



SUDHAUS GmbH
Tel: +49 (0)2371 906-0

Teichstraße 5
Mail: info@sudhaus.de

58644 Iserlohn
www.sudhaus.de