

Combination lock 1842

Patented functions according
DE 50 2010 004 511



The new lock 1842 is a functional extension of the patented SUDHAUS lock 1844. It also offers more free space due to its narrower contour.

The 1842 in the **single-user** version has an automatic code-finding and blurring mechanism.



Also available completely in black.



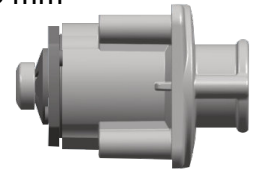
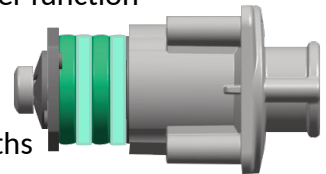
single - user

Zinc - die casting
Housing

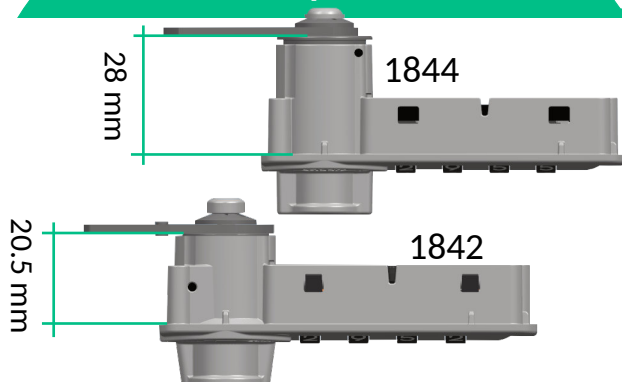
Thanks to adapter function

Up to 4 x
extendable

Installation depths
from 20.5 mm to 32.5 mm

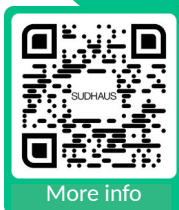


Comparison of installation depths



Product details

- 4-wheel combination with 10.000 possible combinations
- Flat construction, slim design
- Emergency opening in seconds with master key
- No user administration required
- Different lockings possible
- Easy, quick installation



Optional engraving
with consecutive
number or text



21-06-2023



SUDHAUS GmbH
Tel: +49 (0)2371 906-0

Teichstraße 5
Mail: info@sudhaus.de

58644 Iserlohn
www.sudhaus.de