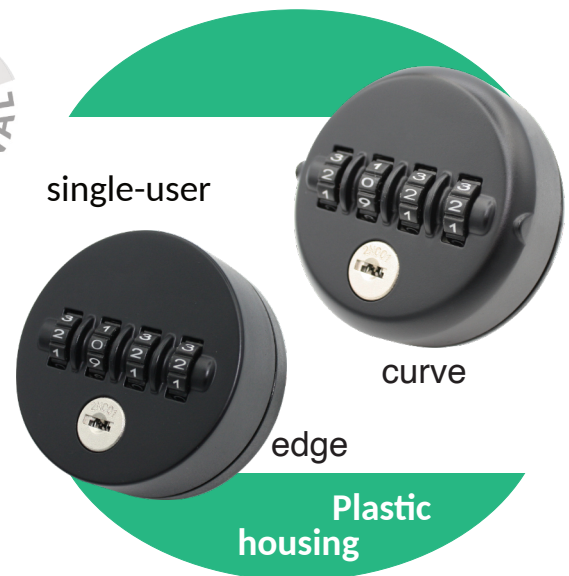


Mechanical combination lock 2022

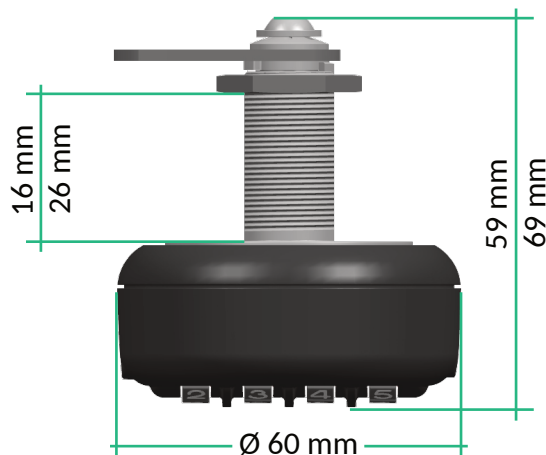
Property rights: Patented function according to DE 50 2004 011 442.3
Registered design



The SUDHAUS lock 2022 is a new development with an additional security mechanism and contemporary design. The freewheel function patented by SUDHAUS guarantees convenient operation of the lock for both the user and the manager.



Installation depth



- Attractive design
- Colour individualisation possible



More info

Product details



- 4-wheel combination with 10,000 possible combinations
- Modern design variants: curve and edge
- Protection against vandalism
- Left/right rotation
- Emergency opening in seconds with Master-Key
- Drill hole 16/19, easy, quick installation
- Trouble-free replacement
- Patented freewheel function

MADE IN GERMANY

26-03-2024



SUDHAUS GmbH
Tel: +49 (0)2371 906-0

Teichstraße 5
Mail: info@sudhaus.de

58644 Iserlohn
www.sudhaus.de